

GENERAL NOTES:

- ALL FASTENERS SHALL BE IN ACCORDANCE WITH THESE DRAWINGS. SPECIFIED ANCHOR EMBED TO BASE MATERIAL SHALL BE BEYOND WALL FINISH OR STUCCO.
- OPENINGS, BUCKING & BUCKING FASTENERS MUST BE PROPERLY DESIGNED & INSTALLED TO TRANSFER WIND LOADS TO THE STRUCTURE.
- THESE NON-IMPACT RATED PRODUCT INSTALLATIONS ARE IN ACCORDANCE WITH AND MEET THE REQUIREMENTS OF THE FLORIDA BUILDING CODE (FBC).
- ALL ANCHORS SECURING PRODUCT FRAMES TO PRESSURE TREATED BUCKS OR WOOD FRAMING SHALL BE CAPABLE OF RESISTING CORROSION CAUSED BY THE PRESSURE TREATING CHEMICALS IN THE WOOD.
- MATERIALS, INCLUDING BUT NOT LIMITED TO STEEL SCREWS, THAT COME INTO CONTACT WITH OTHER DISSIMILAR MATERIALS SHALL MEET THE REQUIREMENTS OF FLORIDA BUILDING CODE CHAPTER 20.
- TO THE BEST OF OUR KNOWLEDGE, THE PRODUCT SHOWN HEREIN IS CERTIFIED & QUALITY ASSURED BY A FLORIDA STATE APPROVED CERTIFICATION/QA ENTITY & SHALL BE LABELED IN ACCORDANCE WITH THE FBC AND THE FLORIDA DEPARTMENT OF BUSINESS & PROFESSIONAL REGULATION SPECIFICATIONS. PRODUCT ASSEMBLY IS NOT PART OF THIS DRAWING AND SHALL BE IN ACCORDANCE WITH THE MANUFACTURER'S QUALITY ASSURANCE SPECIFICATIONS & TESTING REPORTS.
- CERTIFICATION OF THESE PRODUCT INSTALLATIONS SHALL BE CONSIDERED VOID IF ANY OF THE FOLLOWING APPLY: 1) PRODUCT IS INSTALLED WITHOUT A BUILDING PERMIT FROM THE APPLICABLE LOCAL BUILDING DEPARTMENT. 2) PRODUCT IS INSTALLED BY ANYONE OTHER THAN A LICENSED CONTRACTOR EXPERIENCED WITH INSTALLATIONS OF THIS TYPE OF PRODUCT. 3) IF CHANGES HAVE OCCURRED TO THE PRODUCT'S CERTIFICATION ENTITY'S CERTIFICATE THAT CAUSE THESE INSTALLATIONS TO BE INCORRECT OR INCONSISTENT WITH WHAT HAS BEEN TESTED.
- THE LEAST DESIGN PRESSURE SPECIFIED EITHER IN THIS DRAWING OR IN THE PRODUCTS CERTIFICATION SHALL CONTROL FOR THE INSTALLED PRODUCT.
- THESE DRAWINGS CERTIFY THE PRODUCT INSTALLATION ONLY. WATER PROOFING OF THE INSTALLED PRODUCT IS NOT PART OF THIS INSTALLATION CERTIFICATION. THAT RESPONSIBILITY SHALL BE THAT OF THE MANUFACTURER &/OR INSTALLER.

INSTALLATION EVALUATION IS BASED ON APPLICABLE ANCHOR STANDARDS AND/OR INFORMATION & RESULTS FROM APPLICABLE TEST REPORTS. THE FLORIDA BUILDING CODE VERSION CONSIDERED WITH THE EVALUATION WAS THAT IN FORCE AT THE TIME OF THE EVALUATION. IN THE EVENT OF CODE VERSION CHANGES/UPDATES OR IN THE EVENT THAT NEW OR ADDITIONAL TESTING IS COMPLETED ON THE REFERENCED PRODUCT, PRIOR TO STATING CODE COMPLIANCE WITH THE STATE, THE MANUFACTURER SHALL CONFIRM WITH THE INSTALLATION EVALUATION ENGINEER OF RECORD THAT THE INSTALLATIONS SPECIFIED HERE-IN ARE CURRENT WITH THE THEN CURRENT TESTING, CODE AND APPLICABLE STANDARDS.

FRAME ANCHOR REQUIREMENTS TABLE

OPENING TYPE (SUBSTRATE)	FRAME/CLIP/NAIL FIN TO OPENING FASTENER TYPE	MINIMUM EMBED	MINIMUM EDGE DIST.
FRAME SCREWS			
MIN. 2X4 WOOD FRAME OR BUCK (MIN. GR. 3 & G=0.55)	NO. 10 SMS OR WOOD SCREW	1 1/4"	3/4"
MIN. 18 GA. 33 KSI METAL STUD	NO. 10 GR. 5 SELF TAP/DRILL SCREW	FULL	1/2"
MIN. 1/8" THK A36 STEEL	NO. 10 GR. 5 SELF TAP/DRILL SCREW	FULL	1/2"
MIN. 1/8" THK 6063-T5 ALUM.	NO. 10 GR. 5 SELF TAP/DRILL SCREW	FULL	1/2"
MIN. C-90 CMU OR 2500 PSI CONCRETE	(1) 1/4" CONCRETE SCREW	1 1/4"	2"

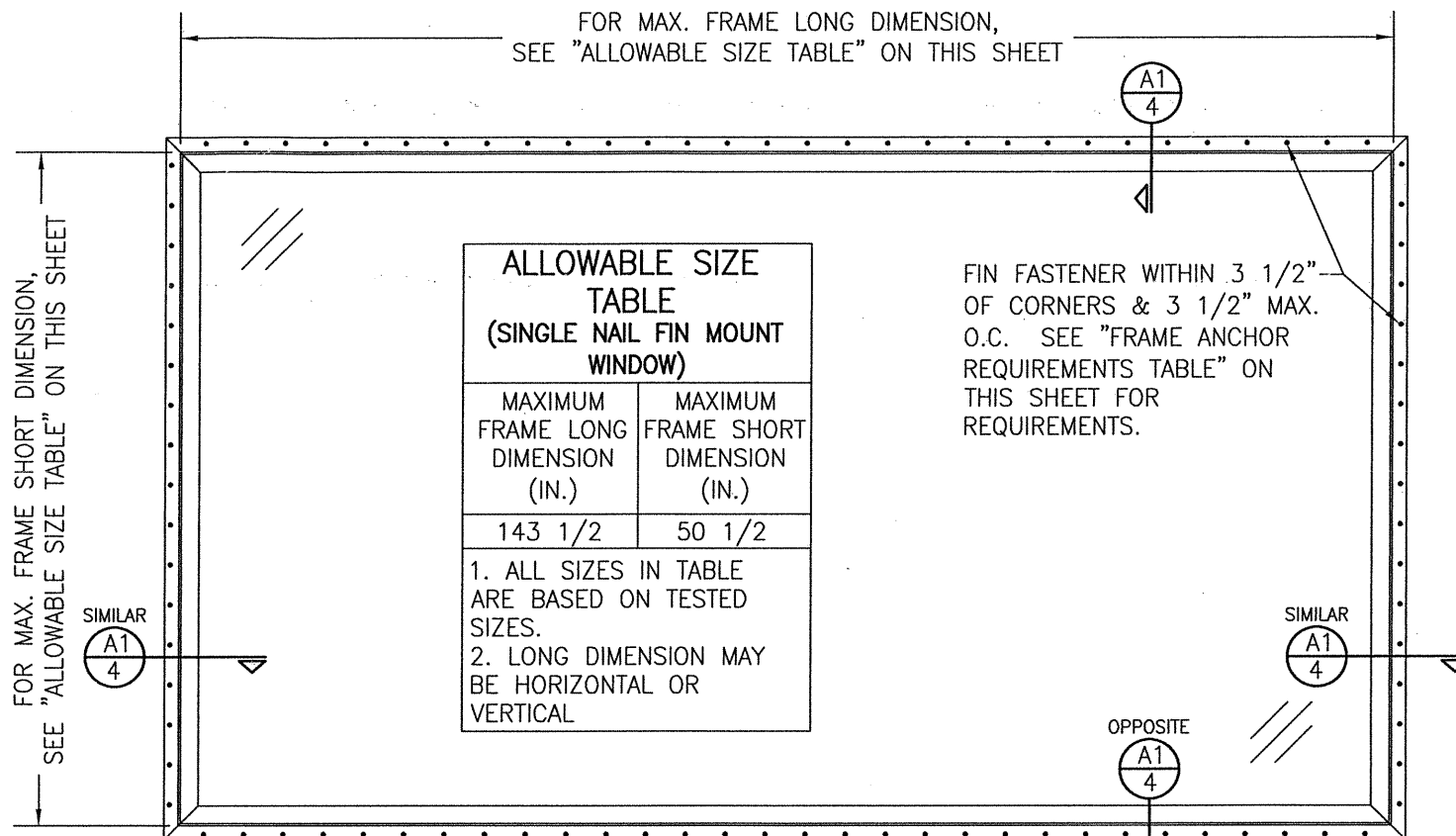
INSTALLATION CLIP SCREWS

(3) MIN. 2X6 WOOD FRAME OR BUCK (MIN. GR. 3 & G=0.55)	NO. 8 SMS SCREW	1 1/8"	3/4"
MIN. 18 GA. 33 KSI METAL STUD	NO. 8 GR. 5 SELF TAP/DRILL SCREW	FULL	1/2"
MIN. 1/8" THK A36 STEEL	NO. 8 GR. 5 SELF TAP/DRILL SCREW	FULL	1/2"
MIN. 1/8" THK 6063-T5 ALUM.	NO. 8 GR. 5 SELF TAP/DRILL SCREW	FULL	1/2"

(2) NAILING FIN FASTENERS

MIN. 2X4 WOOD FRAME OR BUCK (MIN. GR. 3 & G=0.55)	NO. 8 SMS SCREW	1 3/8"	1/2"
MIN. 2X4 WOOD FRAME OR BUCK (MIN. GR. 3 & G=0.55)	11 GA. ROOFING NAIL	1 5/8"	1/2"
MIN. 1/8" THK A36 STEEL	NO. 8 GR. 5 SELF TAP/DRILL SCREW	FULL	1/2"
MIN. 1/8" THK 6063-T5 ALUM.	NO. 8 GR. 5 SELF TAP/DRILL SCREW	FULL	1/2"

- CONCRETE SCREWS SHALL BE ELCO ULTRACONS (C.S.), ELCO CRETE-FLEX (S.S.), ITW RAMSET/RED HEAD TAPCONS (C.S. OR S.S.) OR HILTI KWIK-CON II (C.S OR S.S.).
- WHEN SCREWS ARE USED WITH THE NAIL FIN, THEY MUST BE A WAFFLE HEAD SCREW OR HAVE A FLAT WASHER AT THE SCREW HEAD.
- WHEN INSTALLATION CLIPS ARE INSTALLED TO A 2X6 WOOD BUCK OR FRAME MEMBER, THE 2X MAY BE RIPPED DOWN TO AS LITTLE AS 4 1/2" WIDE PROVIDING ANCHOR EDGE DISTANCE REQUIREMENTS ARE MET.



EXTERIOR ELEVATION; SINGLE WINDOW

SCALE: 3/4" = 1'-0"
(NAIL FIN MOUNT CONDITION)

ALLOWABLE DESIGN PRESSURE (INDIVIDUAL UNITS)
+50/-55 PSF

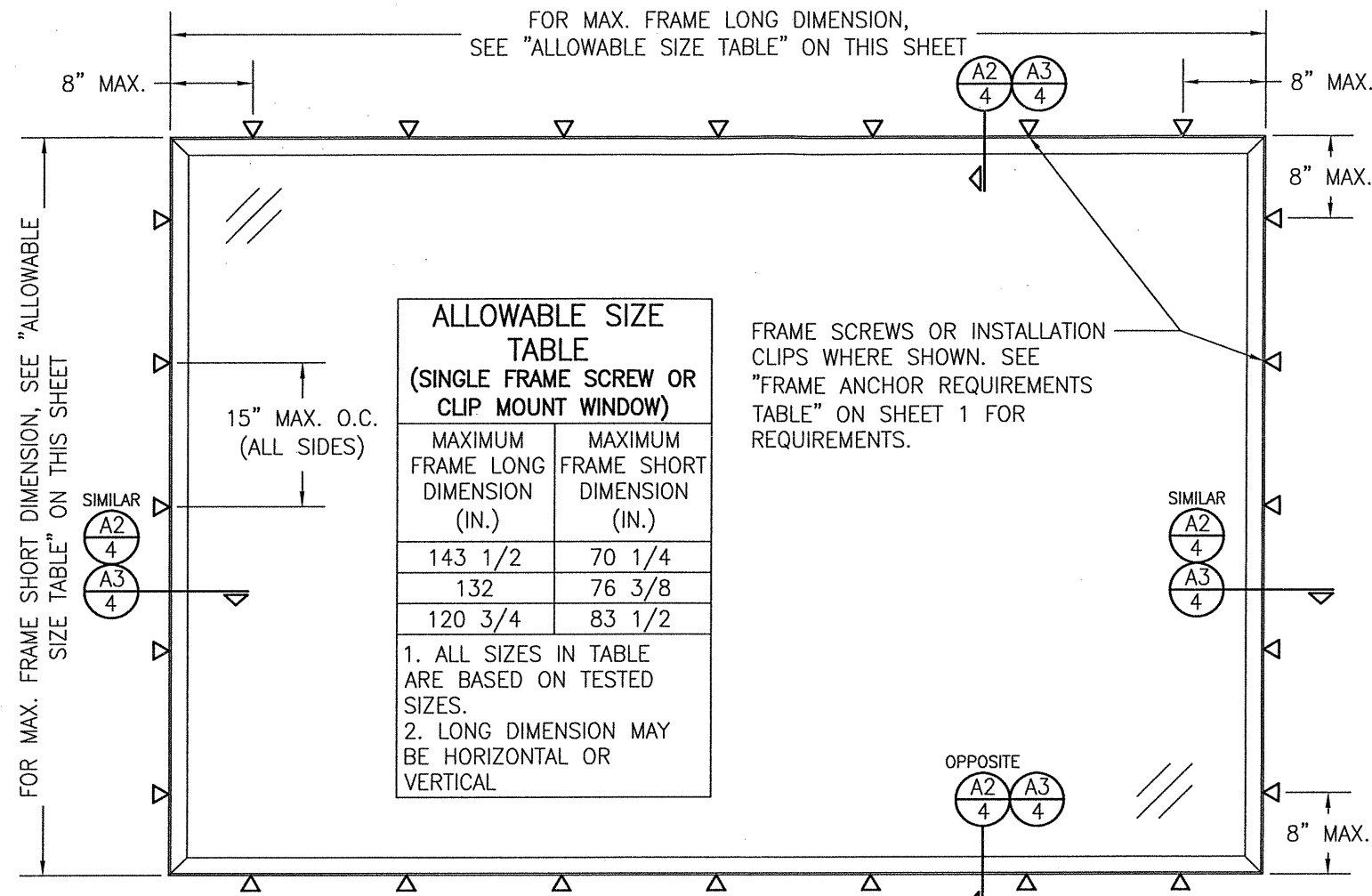
CONDITIONS SHOWN IN THIS DRAWING ARE GOVERNED BY INSTALLATION REQUIREMENTS ONLY. THE GOVERNING CONDITIONS ON ANY SPECIFIC WINDOW UNIT SHALL BE THE LESSER OF THOSE SPECIFIED IN THE WINDOWS STATE APPROVAL OR THAT SHOWN IN THESE DRAWINGS.

ANCHOR/SUBSTRATE EVALUATION NOTE:
ALL ANCHORS IN THEIR SPECIFIED SUBSTRATES HAVE BEEN ANALYZED IN ACCORDANCE WITH THEIR APPLICABLE STANDARD(S) AND ARE FOUND TO BE CAPABLE OF SUPPORTING ALL LOADS IMPOSED ON THEM UNDER THE GUIDELINES OF THIS DOCUMENT. ANY SUBSTRATES OR CONDITIONS OUTSIDE OF WHAT IS SHOWN HERE-IN SHALL BE SUBJECT TO JOB SPECIFIC ENGINEER'S REVIEW & CERTIFICATION.

INSTALLATION NOTE:
WHEN NECESSARY, INSTALLATION METHODS MAY BE MIXED WITH ANY ONE WINDOW SUCH THAT INDIVIDUAL SIDES OF THE WINDOW MAY USE ONE OR THE OTHER ANCHOR METHOD (EXAMPLE: SILL MAY USE FRAME SCREWS METHOD WHILE OTHER SIDES USE FIN)

THESE DRAWINGS ARE APPLICABLE ONLY TO THE PRODUCT SPECIFIED. THEY MAY NOT BE USED FOR THE ASSEMBLY AND/OR INSTALLATION OF ANY OTHER PRODUCT NOR MAY THEY BE USED FOR RATIONAL AND/OR LOCAL APPROVAL OF ANY PRODUCT NOT PRODUCED BY THE MANUFACTURER STATED ON THESE DRAWINGS.

DRAWN BY: W.W.S.	CHECKED BY: W.W.S.
PLOT: 1=16	DATE: 12/18/19
DATE	
BY	
REVISION DESCRIPTION	
NO.	
DRAWING TITLE IMPERVIA MODEL 2 NON-IMPACT FIXED DIRECT SET WINDOWS	
MANUFACTURER Pella CORPORATION 102 MAIN STREET PELLA, IA 50219 641-621-1000	
CONSULTANTS W. W. SCHAEFER ENGINEERING & CONSULTING, P.A. (CA 6809) 7480 150TH COURT NORTH, 33418 PALM BEACH GARDENS, FL 33418 PHONE: 561-744-3424	
CERTIFICATION JAN 17 2020	WAPREN W. SCHAEFER, P.E. P.E. NO. 44135
DRAWING NO. 1968	REV.
SHEET NO. 1	OF 4



ALLOWABLE SIZE TABLE
(SINGLE FRAME SCREW OR CLIP MOUNT WINDOW)

MAXIMUM FRAME LONG DIMENSION (IN.)	MAXIMUM FRAME SHORT DIMENSION (IN.)
143 1/2	70 1/4
132	76 3/8
120 3/4	83 1/2

1. ALL SIZES IN TABLE ARE BASED ON TESTED SIZES.
2. LONG DIMENSION MAY BE HORIZONTAL OR VERTICAL

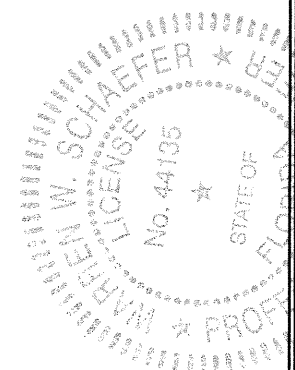
FRAME SCREWS OR INSTALLATION CLIPS WHERE SHOWN. SEE "FRAME ANCHOR REQUIREMENTS TABLE" ON SHEET 1 FOR REQUIREMENTS.

EXTERIOR ELEVATION; SINGLE WINDOW

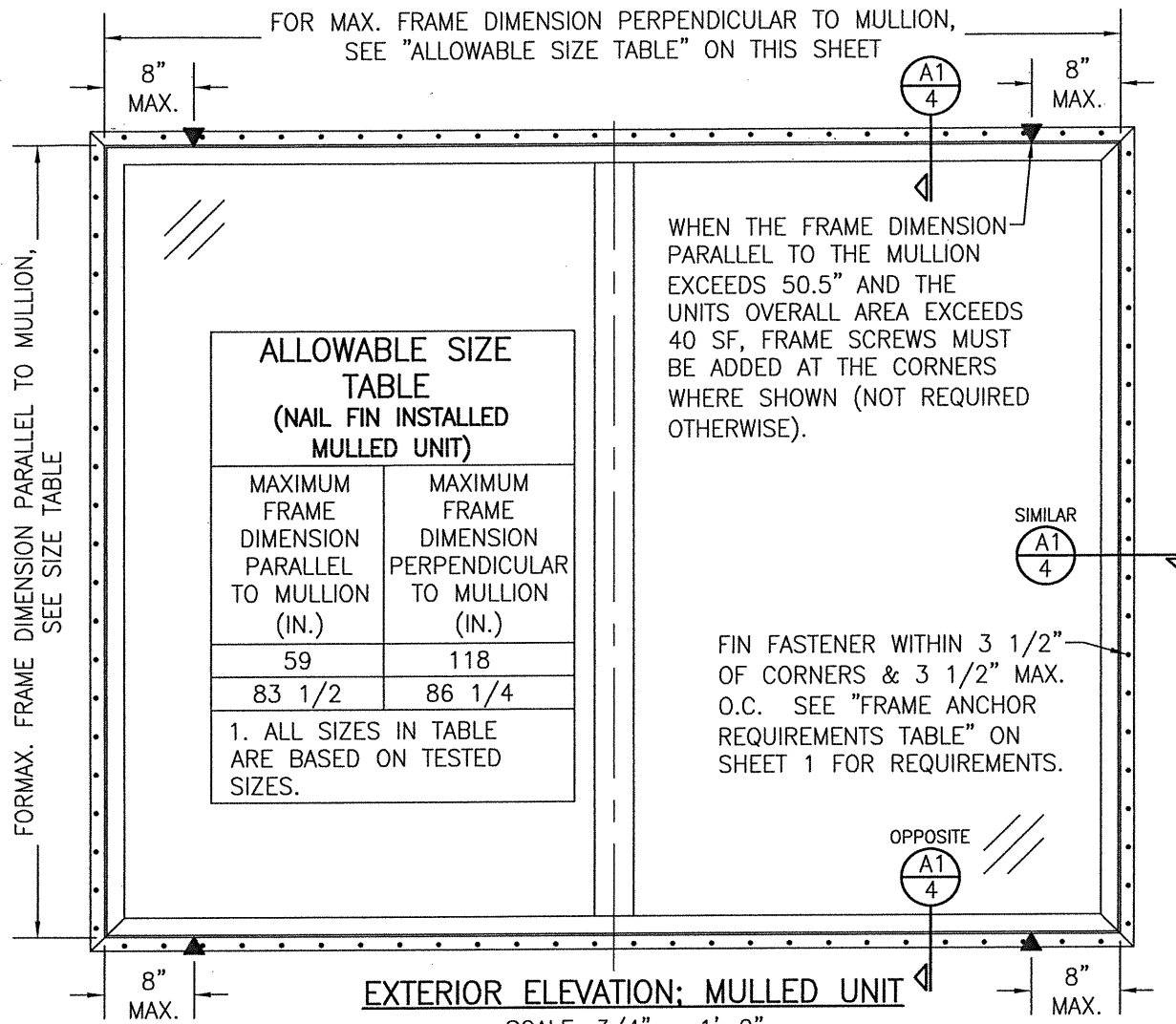
SCALE: 3/4" = 1'-0"

(FRAME SCREW & CLIP MOUNT CONDITION)

ALLOWABLE DESIGN PRESSURE (INDIVIDUAL UNITS)
+50/-55 PSF



DRAWN BY: W.W.S.	CHECKED BY: W.W.S.	PLOT: 1=16	DATE: 12/18/19
NO.	REVISION DESCRIPTION	BY	DATE
DRAWING TITLE IMPERVIA MODEL 2 NON-IMPACT FIXED DIRECT SET WINDOWS			
CONSULTANTS W. W. SCHAEFER ENGINEERING & CONSULTING, P.A. (CA 6809) 7480 150TH COURT NORTH PALM BEACH GARDENS, FL 33418 PHONE: 561-744-3424		MANUFACTURER PELLA CORPORATION 102 MAIN STREET PELLA, IA 50219 641-621-1000	
CERTIFICATION JAN 17 2020 WARREN W. SCHAEFER, P.E. P.E. NO. 44135			
DRAWING NO. 1968	REV.	SHEET NO. 2 OF 4	



ALLOWABLE SIZE TABLE
(NAIL FIN INSTALLED MULLED UNIT)

MAXIMUM FRAME DIMENSION PARALLEL TO MULLION (IN.)	MAXIMUM FRAME DIMENSION PERPENDICULAR TO MULLION (IN.)
59	118
83 1/2	86 1/4

1. ALL SIZES IN TABLE ARE BASED ON TESTED SIZES.

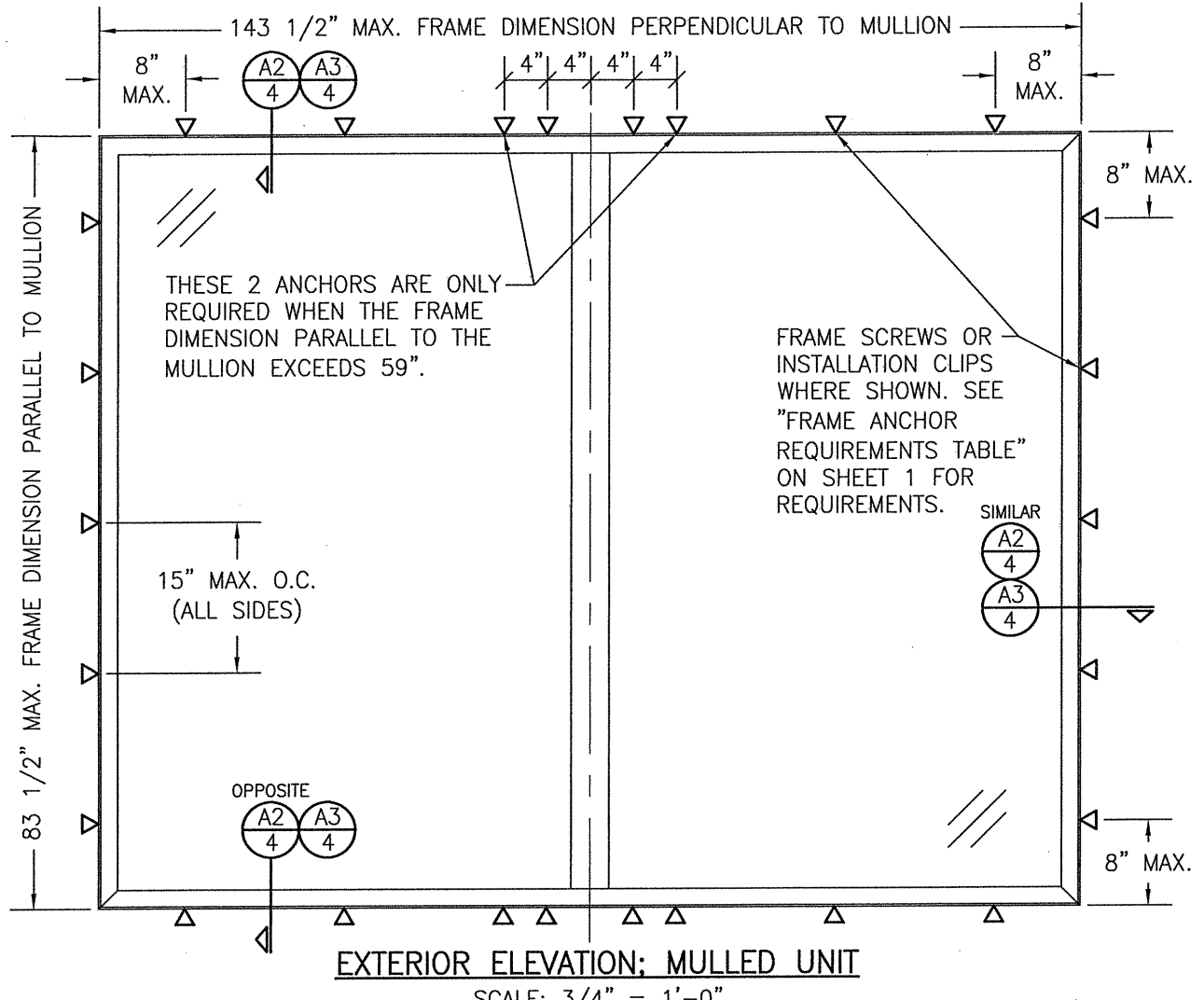
WHEN THE FRAME DIMENSION PARALLEL TO THE MULLION EXCEEDS 50.5" AND THE UNITS OVERALL AREA EXCEEDS 40 SF, FRAME SCREWS MUST BE ADDED AT THE CORNERS WHERE SHOWN (NOT REQUIRED OTHERWISE).

FIN FASTENER WITHIN 3 1/2" OF CORNERS & 3 1/2" MAX. O.C. SEE "FRAME ANCHOR REQUIREMENTS TABLE" ON SHEET 1 FOR REQUIREMENTS.

EXTERIOR ELEVATION; MULLED UNIT

SCALE: 3/4" = 1'-0"
(NAIL FIN MOUNT CONDITION)

NOTE: THE MULLION MAY BE HORIZONTAL OR VERTICAL.



THESE 2 ANCHORS ARE ONLY REQUIRED WHEN THE FRAME DIMENSION PARALLEL TO THE MULLION EXCEEDS 59".

FRAME SCREWS OR INSTALLATION CLIPS WHERE SHOWN. SEE "FRAME ANCHOR REQUIREMENTS TABLE" ON SHEET 1 FOR REQUIREMENTS.

EXTERIOR ELEVATION; MULLED UNIT

SCALE: 3/4" = 1'-0"
(FRAME SCREW & CLIP MOUNT CONDITION)

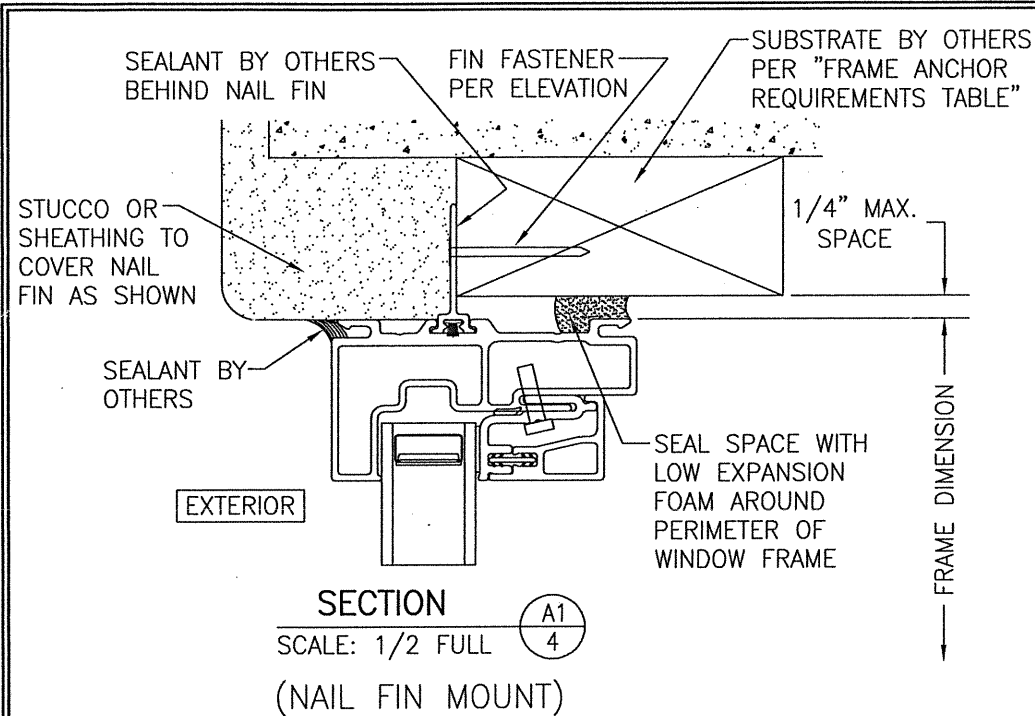
NOTE: THE MULLION MAY BE HORIZONTAL OR VERTICAL.

ALLOWABLE DESIGN PRESSURE (MULLED UNITS)
+50/-55 PSF

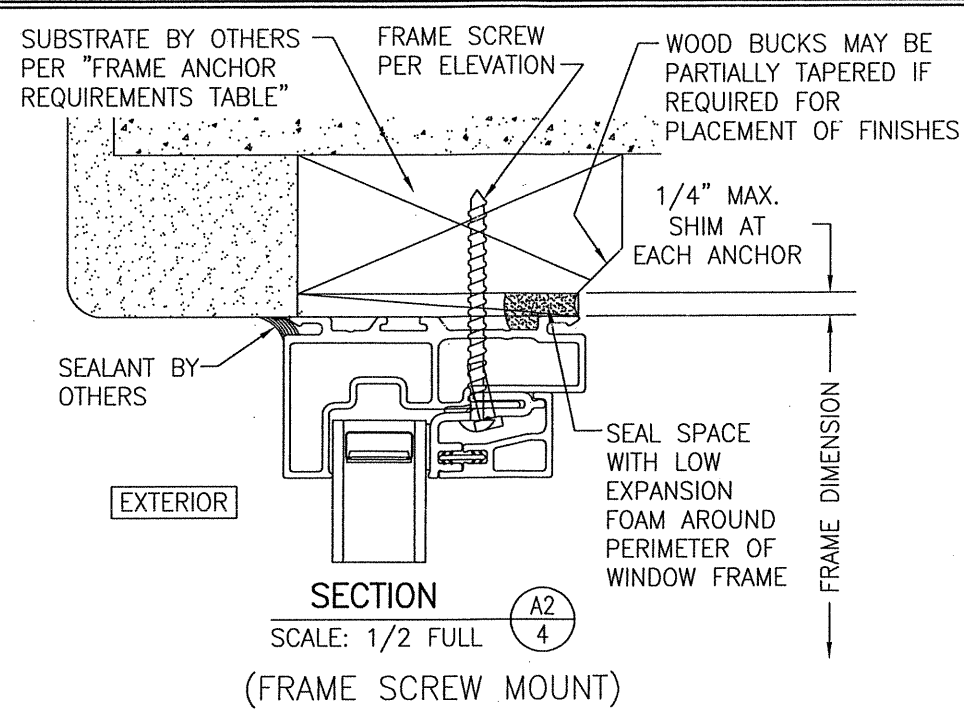
MULLED UNIT NOTE:

- 2-WIDE UNITS ARE SHOWN. 3-WIDE UNITS ALSO APPLY WITHIN THE SAME OVERALL UNIT SIZE & DESIGN PRESSURE SPECIFIED.
- BOTH 2 & 3-WIDE UNITS MAY BE OF EQUAL OR UNEQUAL SIZE LIGHTS.

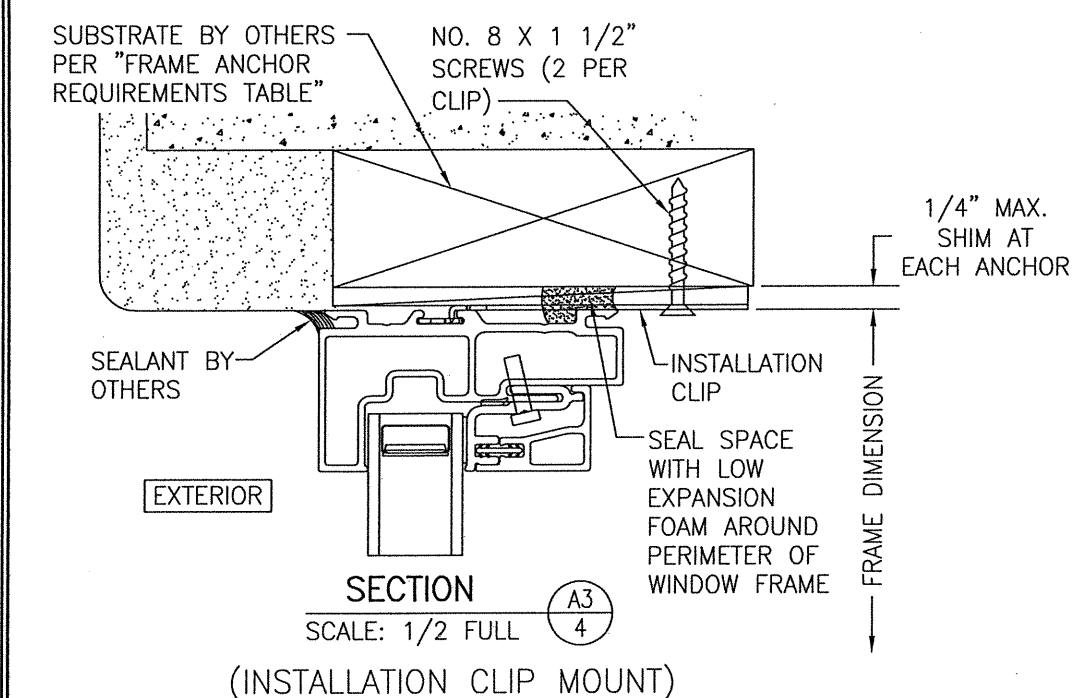
DRAWN BY: W.W.S.	CHECKED BY: W.W.S.
PLOT: 1-16	DATE: 12/18/19
DATE	BY
REVISION DESCRIPTION	NO.
IMPERVIA MODEL 2 NON-IMPACT FIXED DIRECT SET WINDOWS MANUFACTURER PELLA CORPORATION 102 MAIN STREET PELLA, IA 50219 641-621-1000	
CONSULTANTS W. W. SCHAEFER ENGINEERING & CONSULTING, P.A. (CA 6809) 7480 150TH COURT NORTH PALM BEACH GARDENS, FL 33418 PHONE: 561-744-3424	
CERTIFICATION WARREN W. SCHAEFER, P.E. P.E. NO. 44135	
DRAWING NO. 1968	REV.
SHEET NO. 3 OF 4	



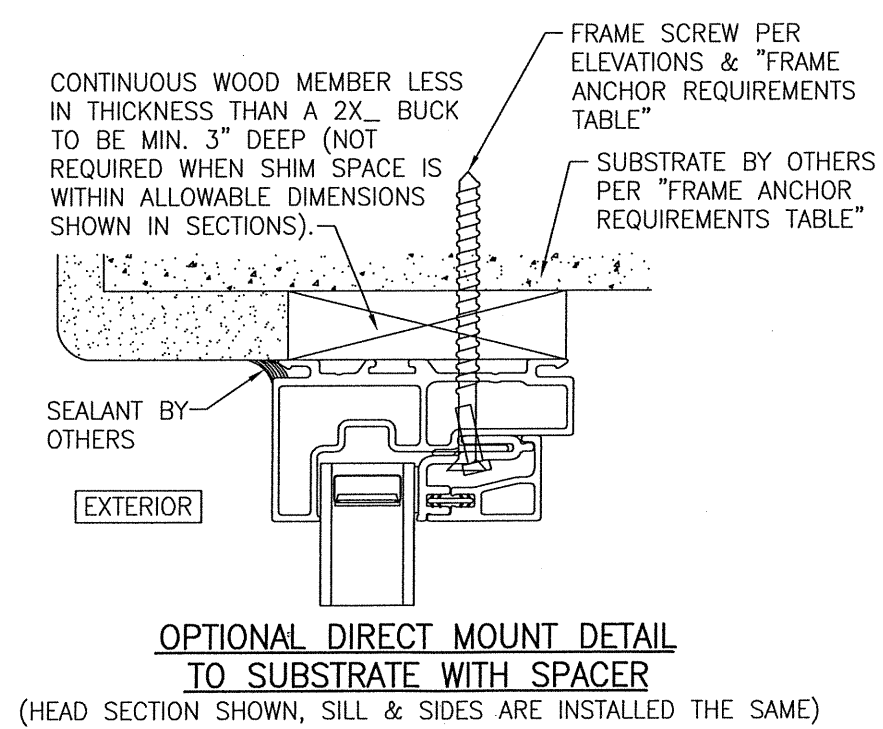
SECTION A1
SCALE: 1/2 FULL
(NAIL FIN MOUNT)



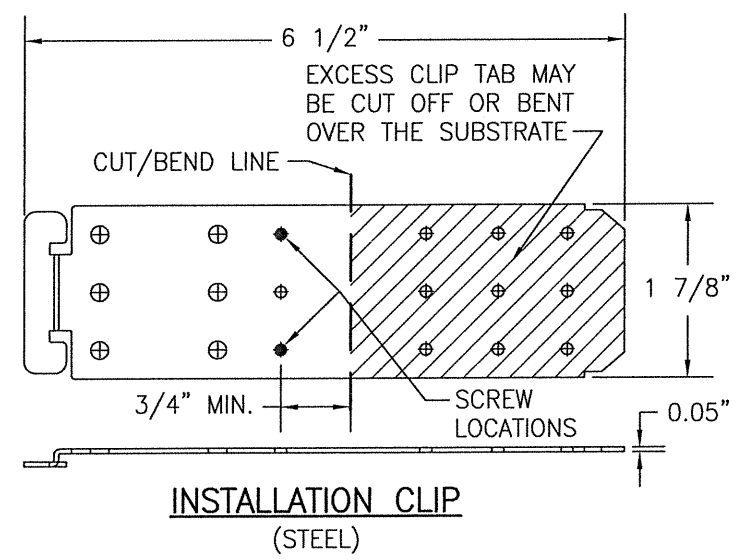
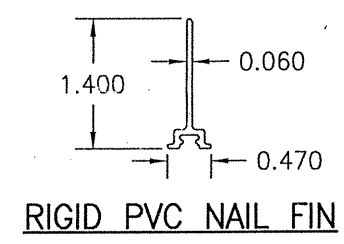
SECTION A2
SCALE: 1/2 FULL
(FRAME SCREW MOUNT)



SECTION A3
SCALE: 1/2 FULL
(INSTALLATION CLIP MOUNT)



OPTIONAL DIRECT MOUNT DETAIL
TO SUBSTRATE WITH SPACER
(HEAD SECTION SHOWN, SILL & SIDES ARE INSTALLED THE SAME)



DRAWN BY: W.W.S.	CHECKED BY: W.W.S.
PLOT: 1=2	DATE: 12/18/19
DATE	
BY	
REVISION DESCRIPTION	
NO.	
DRAWING TITLE IMPERVIA MODEL 2 NON-IMPACT FIXED DIRECT SET WINDOWS	
MANUFACTURER PELLA CORPORATION 102 MAIN STREET PELLA, IA 50219 641-621-1000	
CONSULTANTS W. W. SCHAEFER ENGINEERING & CONSULTING, P.A. (CA 6809) 7480 150TH COURT NORTH, 33418 PALM BEACH GARDENS, FL 33418 PHONE: 561-744-3424	
CERTIFICATION JAN 17 2020 WARREN W. SCHAEFER, P.E. P.E. NO. 44135	
DRAWING NO. 1968	REV.
SHEET NO. 4	OF 4

